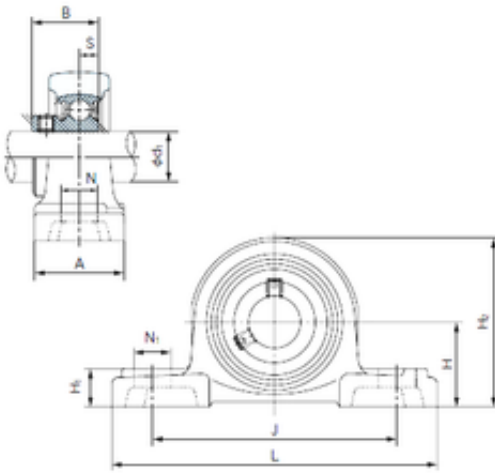




NACHI BP204 Bearing Units

Bearing No. BP204



BP204 Bearing 2D drawings and 3D CAD models

Bore Diameter	20 mm
Width	24.7 mm
d	20 mm
A	38 mm
B	24.7 mm
H	33.3 mm
H1	15 mm
H2	65 mm
J	95 mm
L	127 mm
N	13 mm
N1	19 mm